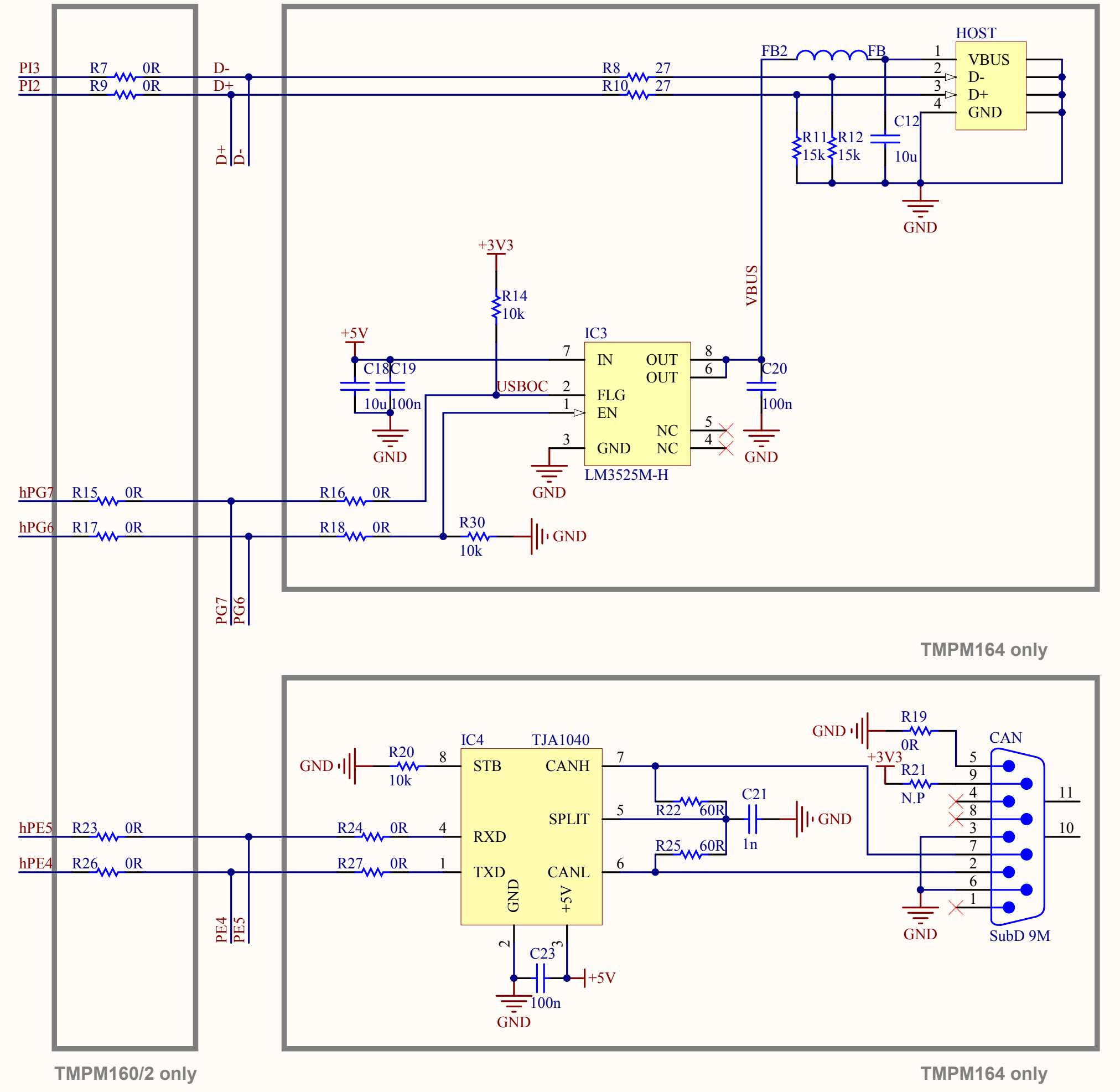
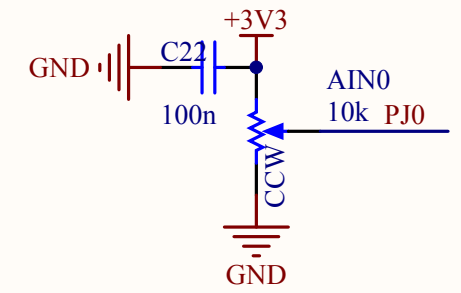
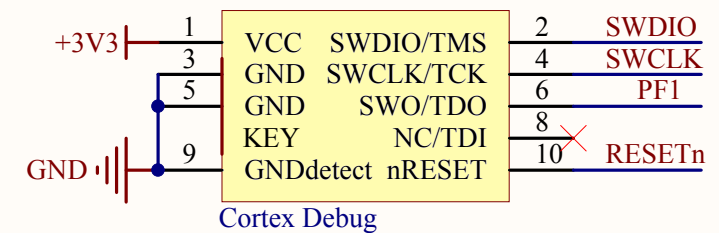
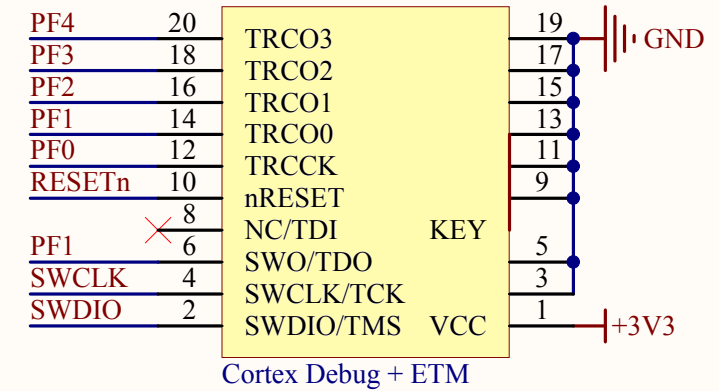
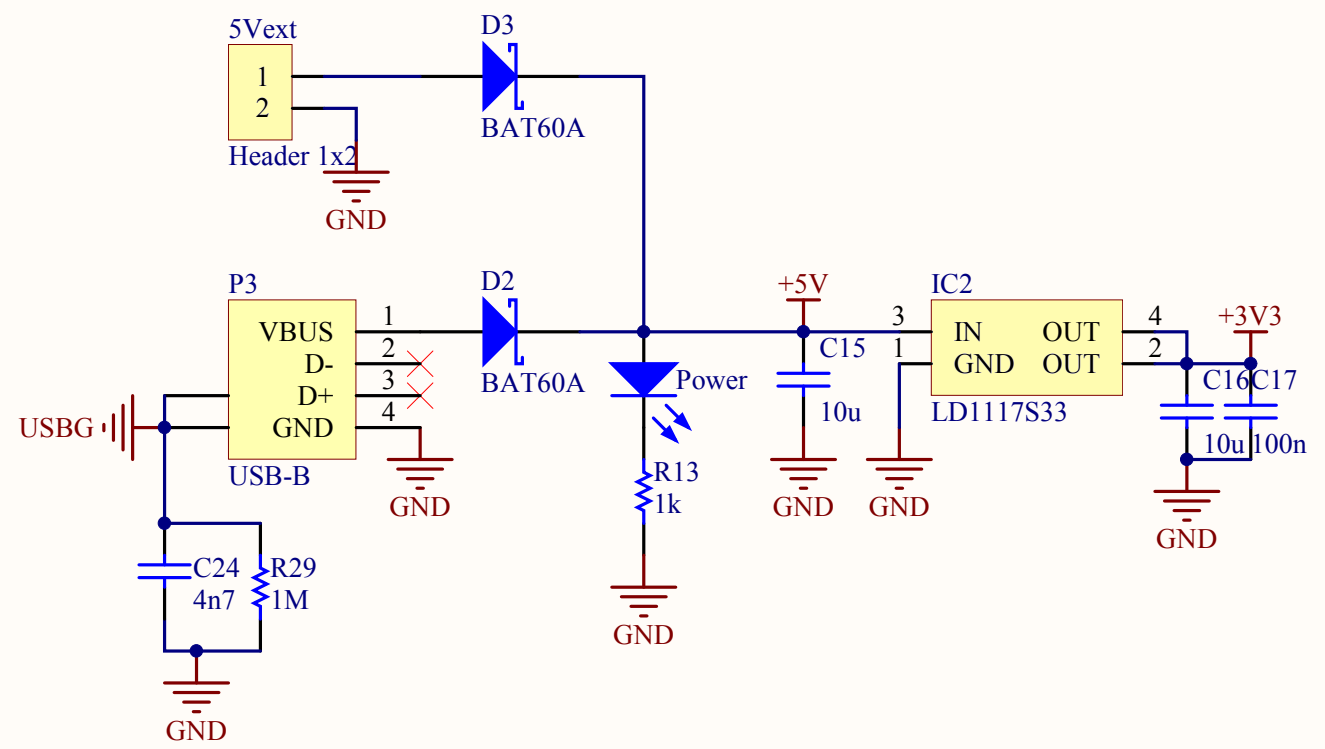


### MCBTMPM360

TMPM364F10G.SchDoc      Revision: 1.1  
 Size: A4      Sheet 1 of 3  
 Date: 10.6.2010      Web: www.keil.com





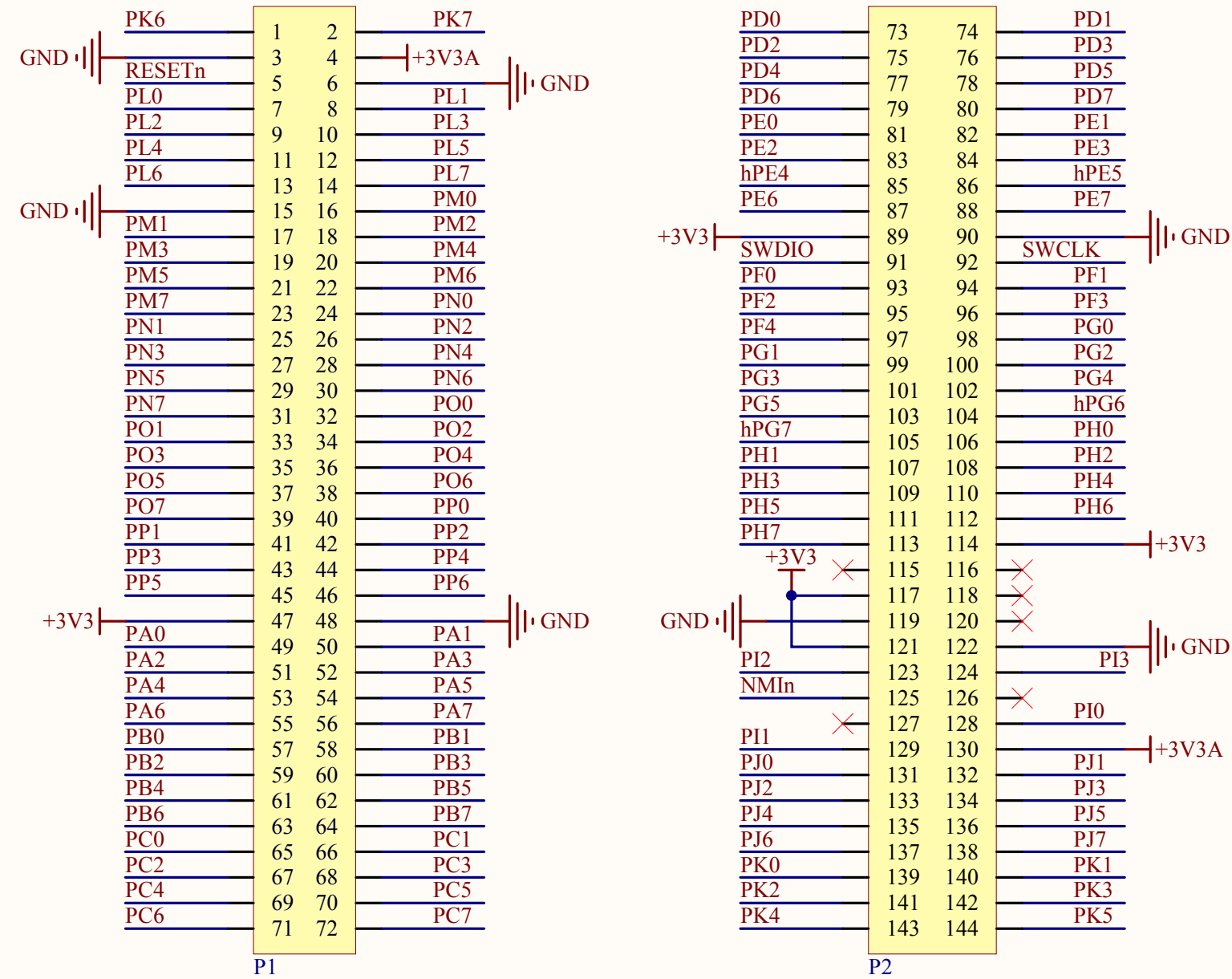
TMPM160/2 only

TMPM164 only

### MCBTMPM360

USB, CAN, POWER.sch	Revision: 1.1
Size: A4	Sheet 2 of 3
Date: 10.6.2010	Web: www.keil.com





Changes from revision 1.0 to 1.1:

- added PF1 (SWO) signal to pin 6 of Cortex-Debug and Cortex-Debug+ETM connector
- moved the Cortex-Debug and Cortex-Debug+ETM connectors to slightly different positions
- replaced SMT CAN connector with a through-hole version
- exchanged USB power switch LM3526M-L with LM3525M-H
- changed R30 from a pull-up to a pull-down resistor.

**MCBTMPM360**

