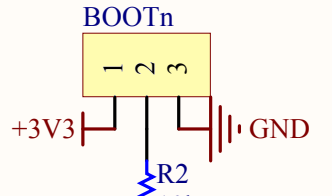
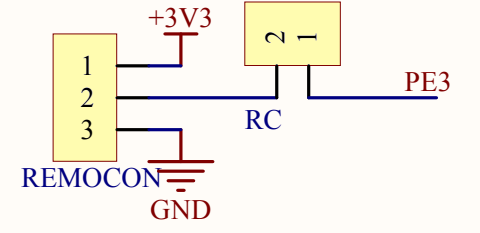
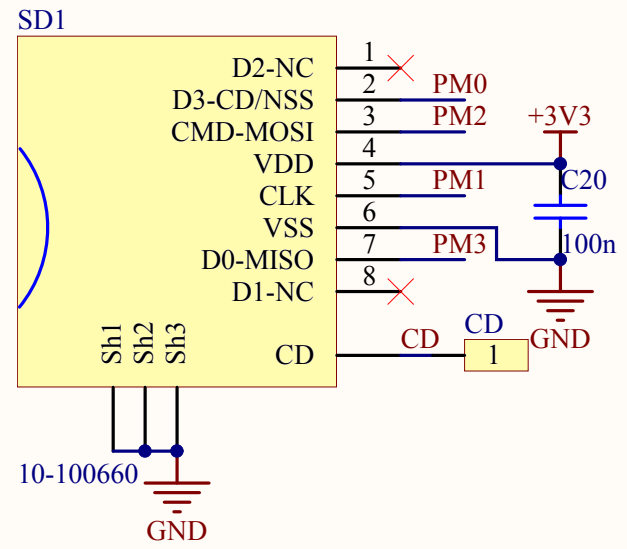
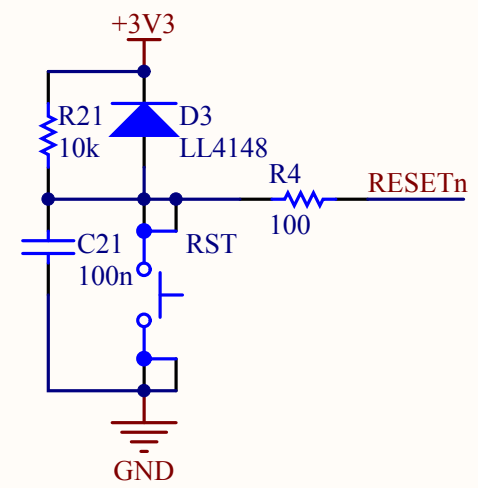
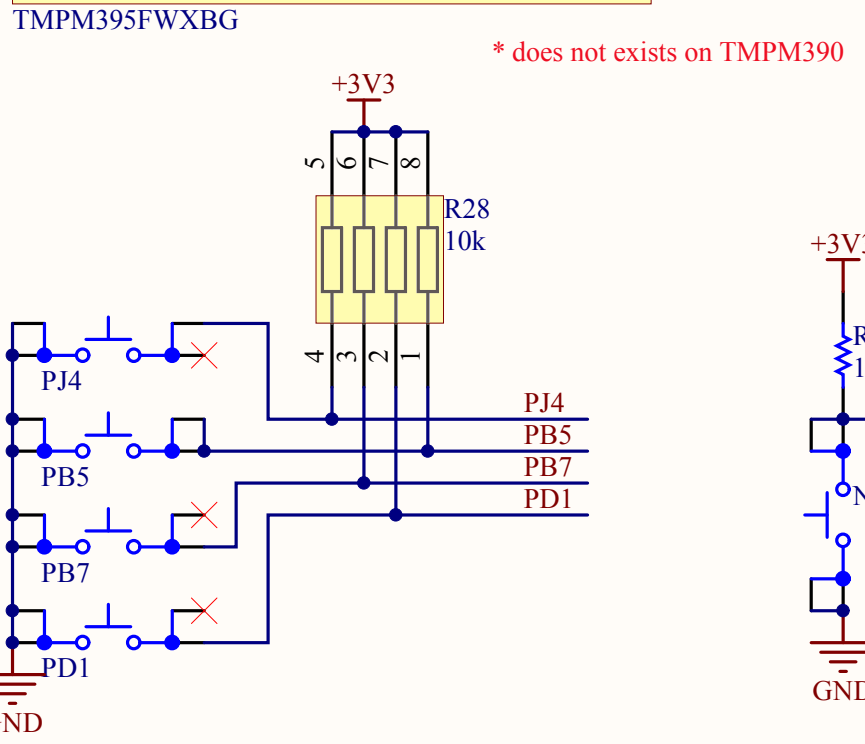
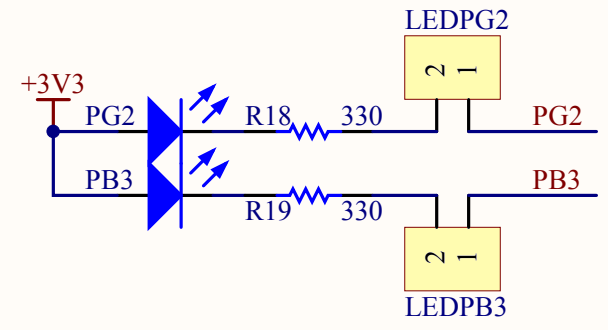
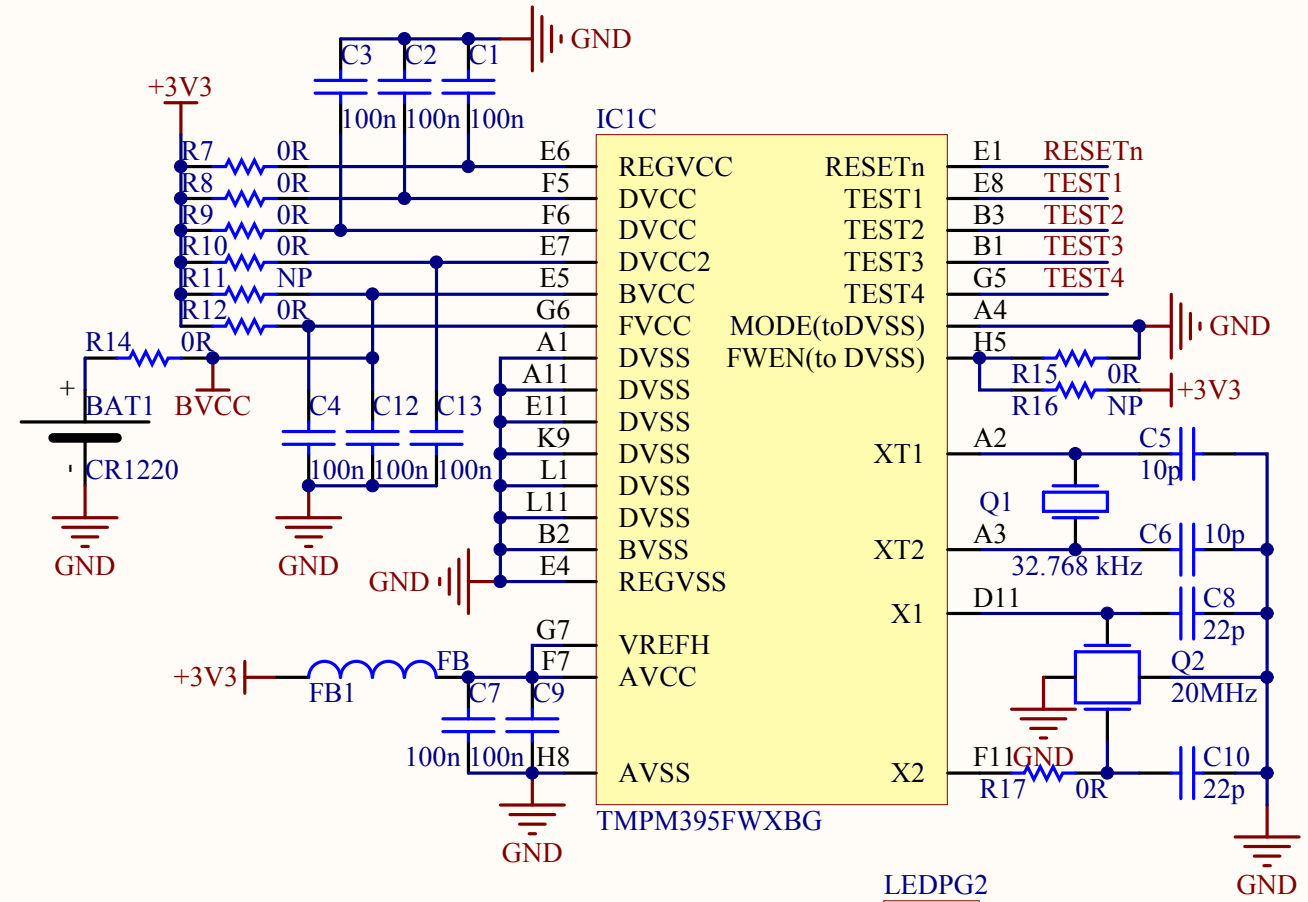


IC1A			
PA0	K1	PA0/TMS/SWDIO	NMIIn
PA1	L2	PA1/TCK/SWCLK	
PA2	L3	PA2/TRACECLK	
PA3	L4	PA3/TRACEDATA 0	
PA4	L5	PA4/TRACEDATA 1/ SPI3FSSBR(Through)	
PA5	L6	PA5/TRACEDATA 2/ SPI3CLKBR(Through)	
PA6	L7	PA6/TRACEDATA 3/ SPI3DOBR(Through)	
PA7	K7	PA7/SPI3DIBR (Through)	
		PE0/TXD0	C1 PE0
PB0	H1	PB0/TDO/SWV	C2 PE1
PB1	G1	PB1/TDI	D1 PE2
PB2	J1	PB2/TRSTn	D2 PE3
PB3	D7	PB3	D3 PE4
* PB4	K4	PB4/SPI3FSS	E3 PE5
* PB5	J4	PB5/SPI3CLK	E2 PE6
* PB6	K5	PB6/SPI3DO	
* PB7	J5	PB7/SPI3DI	
		PF0/TXD2	H9 PF0
PC0	L10	PC0/AN0	G8 PF1
PC1	K11	PC1/AN1	G9 PF2
PC2	K10	PC2/AN2	G10 PF3
PC3	J10	PC3/AN3	G11 PF4
		PF5/SI1/SCL1	F10 PF5
		PF6/SCK1	F9 PF6
		PF7/TB4OUT	F8 PF7
PD0	H6	PD0/AN4/TB5IN0	B7 PG0
PD1	J6	PD1/AN5/TB5IN1	A7 PG1
PD2	L8	PD2/AN6/TB6IN0	C7 PG2
PD3	J7	PD3/AN7/TB6IN1	C6 PG3
PD4	K8	PD4/AN8	B6 PG4 *
PD5	H7	PD5/AN9	A6 PG5 *
PD6	J8	PD6/AN10	
PD7	L9	PD7/AN11	



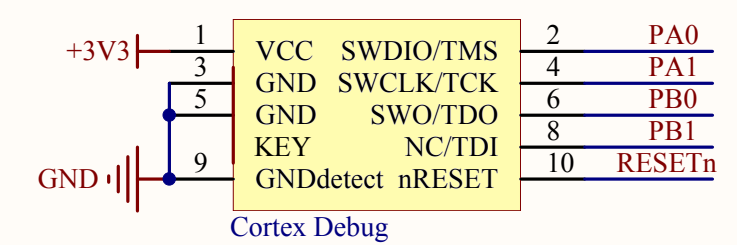
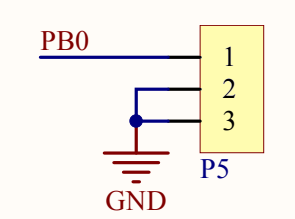
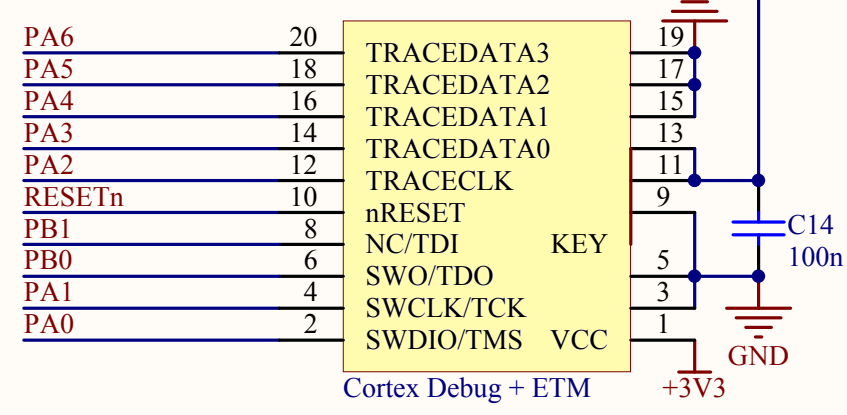
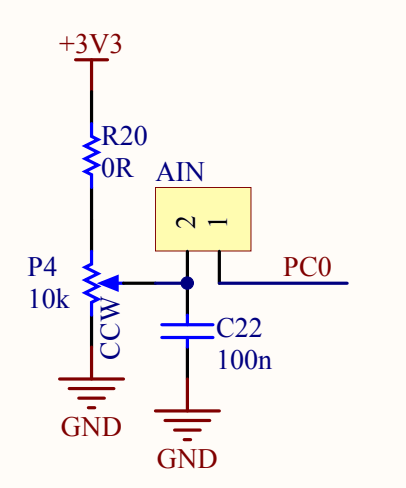
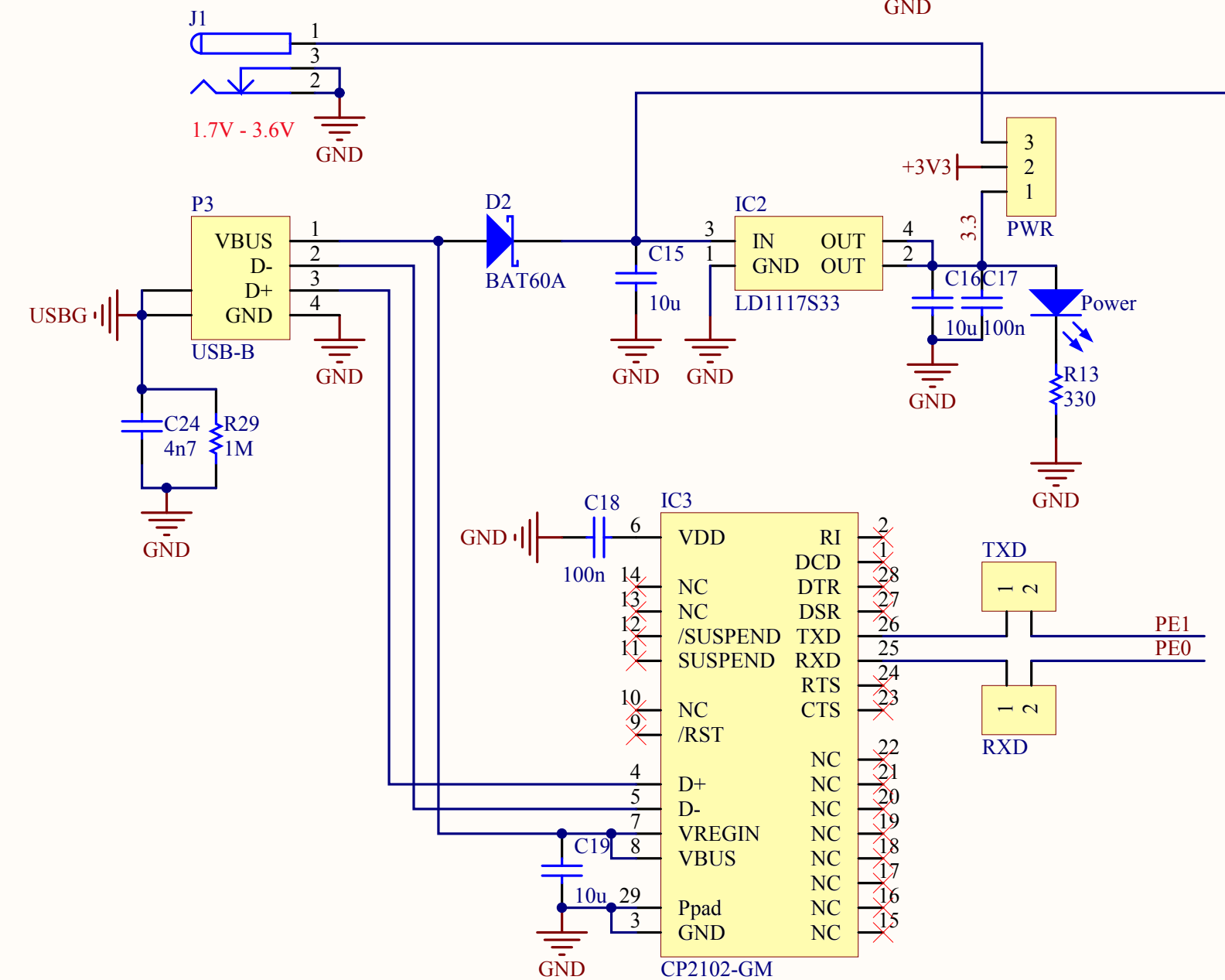
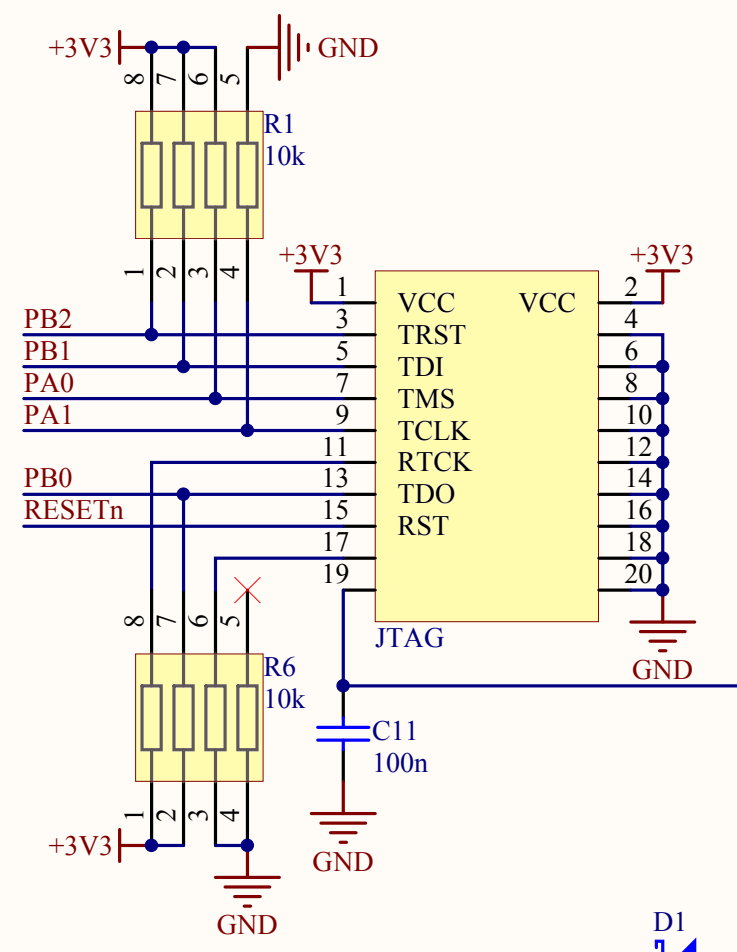
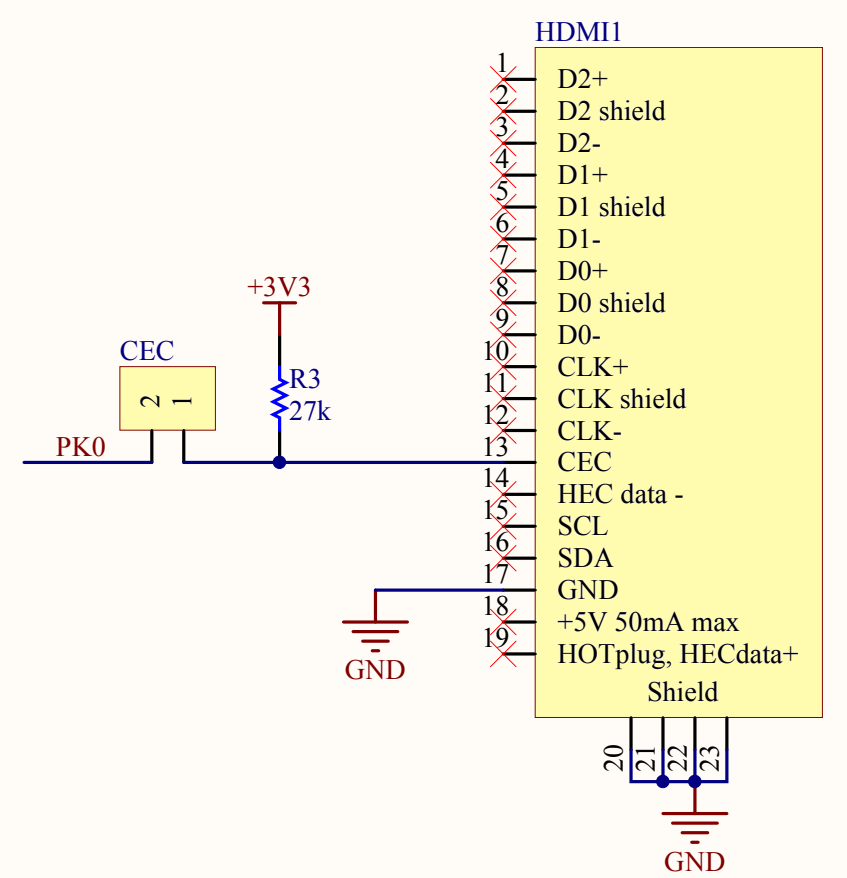
IC1B			
PH0	A5	PH0/TB0IN0/BOOTn	PK0/CEC
PH1	D6	PH1/TB0IN1	PK1/SCOUT/ALARMn
PH2	C5	PH2/TB0OUT	PK2
PH3	B5	PH3/TB1IN0	PK3/INT8
PH4	B4	PH4/TB1IN1	PK4/INT9
PH5	D5	PH5/TB1OUT	PK5/INT10
PH6	D4	PH6/TB5OUT	
* PH7	C4	PH7/TB6OUT	
		PL0/SPI0FSS	C10 PL0
PI0	E10	PI0/TB2IN0	B10 PL1
PI1	E9	PI1/TB2IN1	B9 PL2
PI2	D10	PI2/TB2OUT	C9 PL3
PI3	D9	PI3/TB3IN0	C8 PL4
PI4	D8	PI4/TB3IN1	B8 PL5 *
PI5	C11	PI5/TB3OUT	A9 PL6 *
PI6	B11	PI6/PHC0IN0	A8 PL7 *
PI7	A10	PI7/PHC0IN1	
		PM0/SPI2FSS	J9 PM0 *
PJ0	G4	PJ0/INT0	H11 PM1 *
PJ1	H4	PJ1/INT1	H10 PM2 *
PJ2	H3	PJ2/INT2	J11 PM3 *
PJ3	H2	PJ3/INT3	
PJ4	J3	PJ4/INT4	
PJ5	K3	PJ5/INT5	
PJ6	J2	PJ6/INT6	
PJ7	K2	PJ7/INT7	

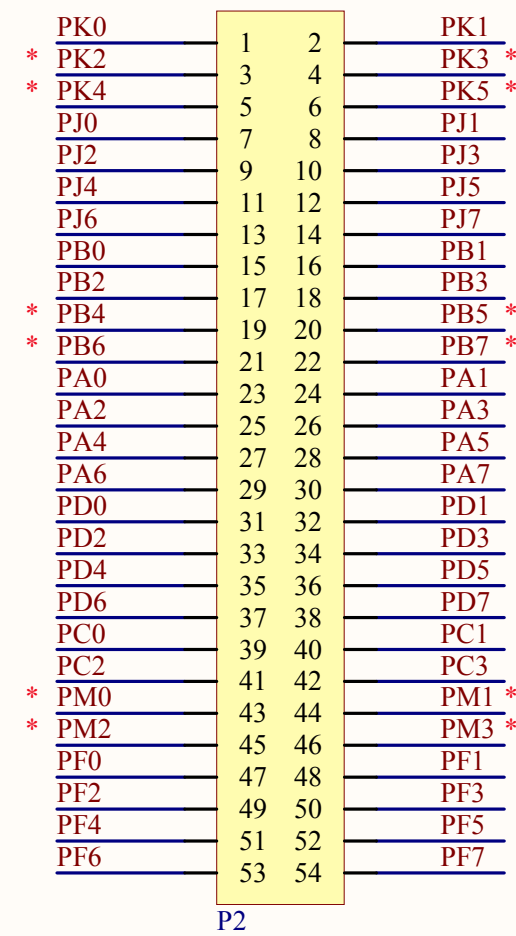
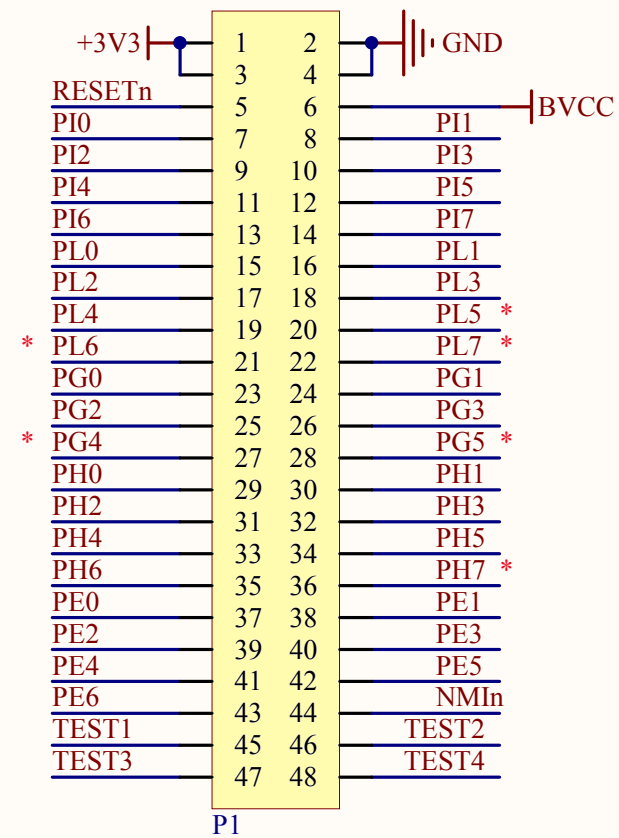


MCBTMPM395

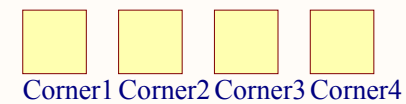
TMPM395FWXBG.SchDoc	Revision: 1.0
Size: A4	Sheet 1 of 3
Date: 29.7.2010	Web: www.keil.com







* does not exists on TMPM390



WEEE ROHS CE KEIL logo

MCBTMPM395		
Headers.SchDoc	Revision: 1.0	
Size: A4	Sheet 3 of 3	
Date: 29.7.2010	Web: www.keil.com	